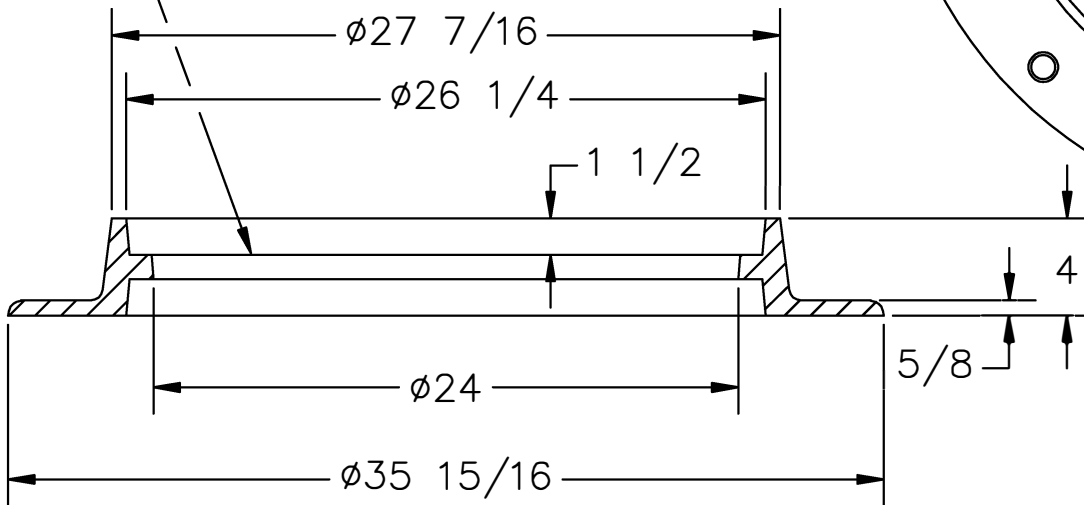


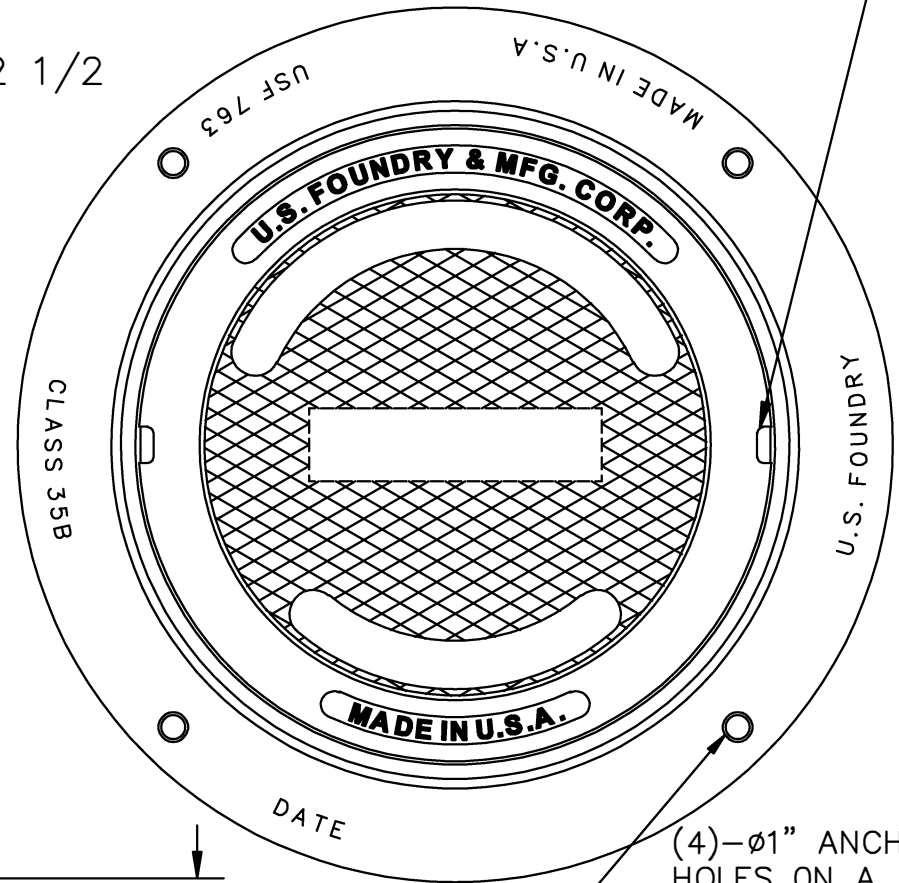
MACHINED SURFACES

COVER



RING

(2) NON-PENETRATING PICKHOLES TYPE 2.



(4)- $\phi 1$ " ANCHOR HOLES ON A $\phi 32 \frac{3}{4}$ " B.C.D.



US FOUNDRY & MFG. CORP.

8351 NW 93rd Street, Modley, FL 33166-2025

ph: 1-800-432-9709; fax: 305-887-9429

www.usfoundry.com

© 2010 US Foundry & Mfg. Corp. All Rights Reserved

USF 763 Ring & NC Cover
(USF 763 = USF 1763 reversible ring)

LOAD CLASSIFICATION: Heavy Duty			
MATERIAL: ASTM-A48 GRAY IRON CLASS35B			
Ring No:	8020664	WGHT: 165	SCALE: 1/8"=1"
Cover No:		145	DATE: 12-7-07
			OWN. BY: OD
UNLESS OTHERWISE NOTED WEIGHT IS IN POUNDS AND APPROXIMATED			
REV:	DATE:	REV BY:	QUOTE#1630, 1631