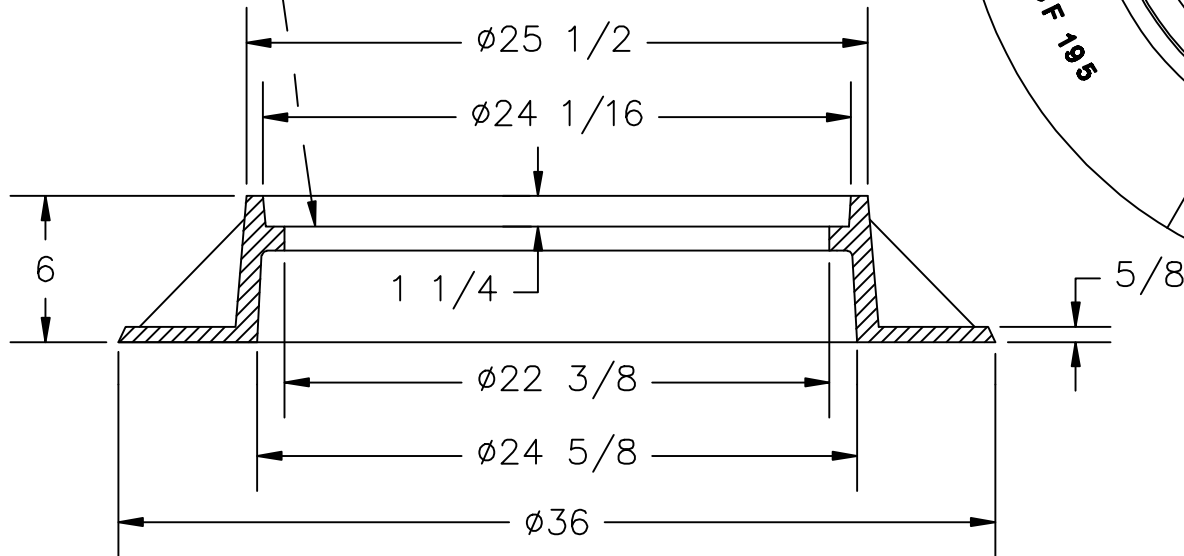
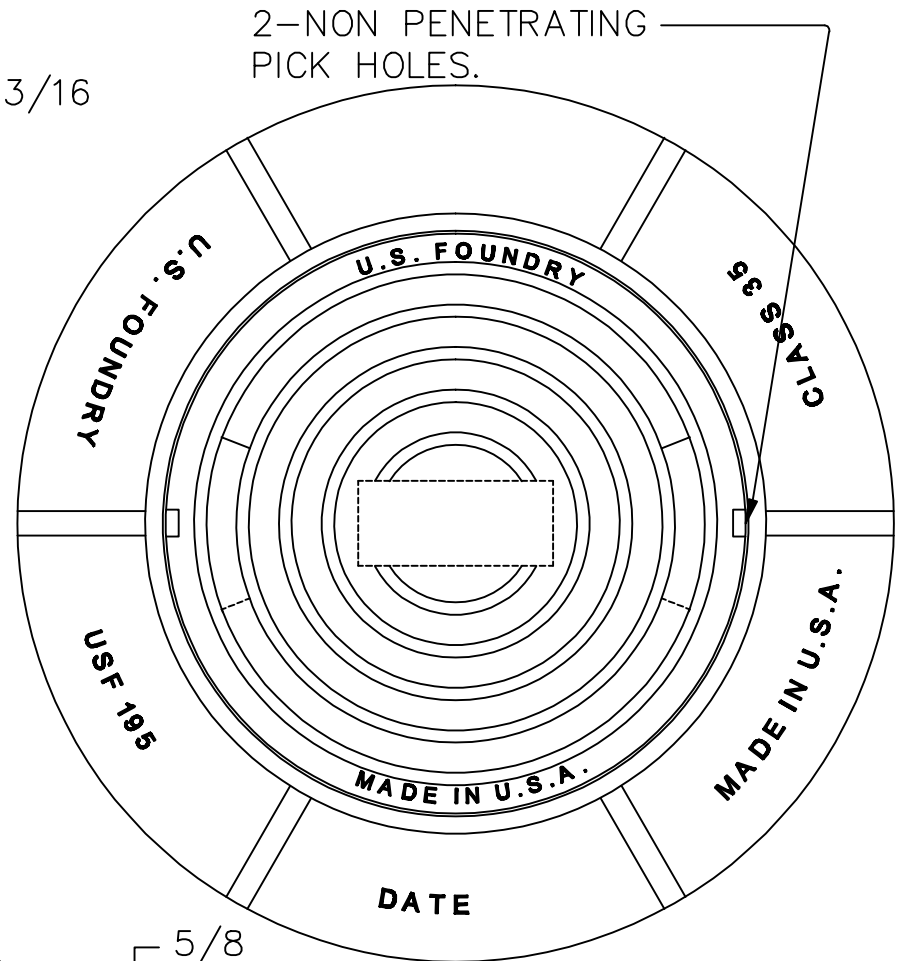


COVER

MACHINED SURFACES



RING



US FOUNDRY & MFG. CORP.

8351 NW 93rd Street, Modley, FL 33166-2025

ph: 1-800-432-9709; fax: 305-887-9429

www.usfoundry.com

© 2010 US Foundry & Mfg. Corp. All Rights Reserved

USF 195 Ring & AU Cover

LOAD CLASSIFICATION: Heavy Duty			
MATERIAL: ASTM-A48 GRAY IRON CLASS35B			
Ring No:	8020129	WGHT: 195	SCALE: 1/8"=1"
Cover No:		150	DATE: 3-11-88
			OWN. BY: HJF
UNLESS OTHERWISE NOTED WEIGHT IS IN POUNDS AND APPROXIMATED			
REV:	DATE:	REV BY:	QUOTE#